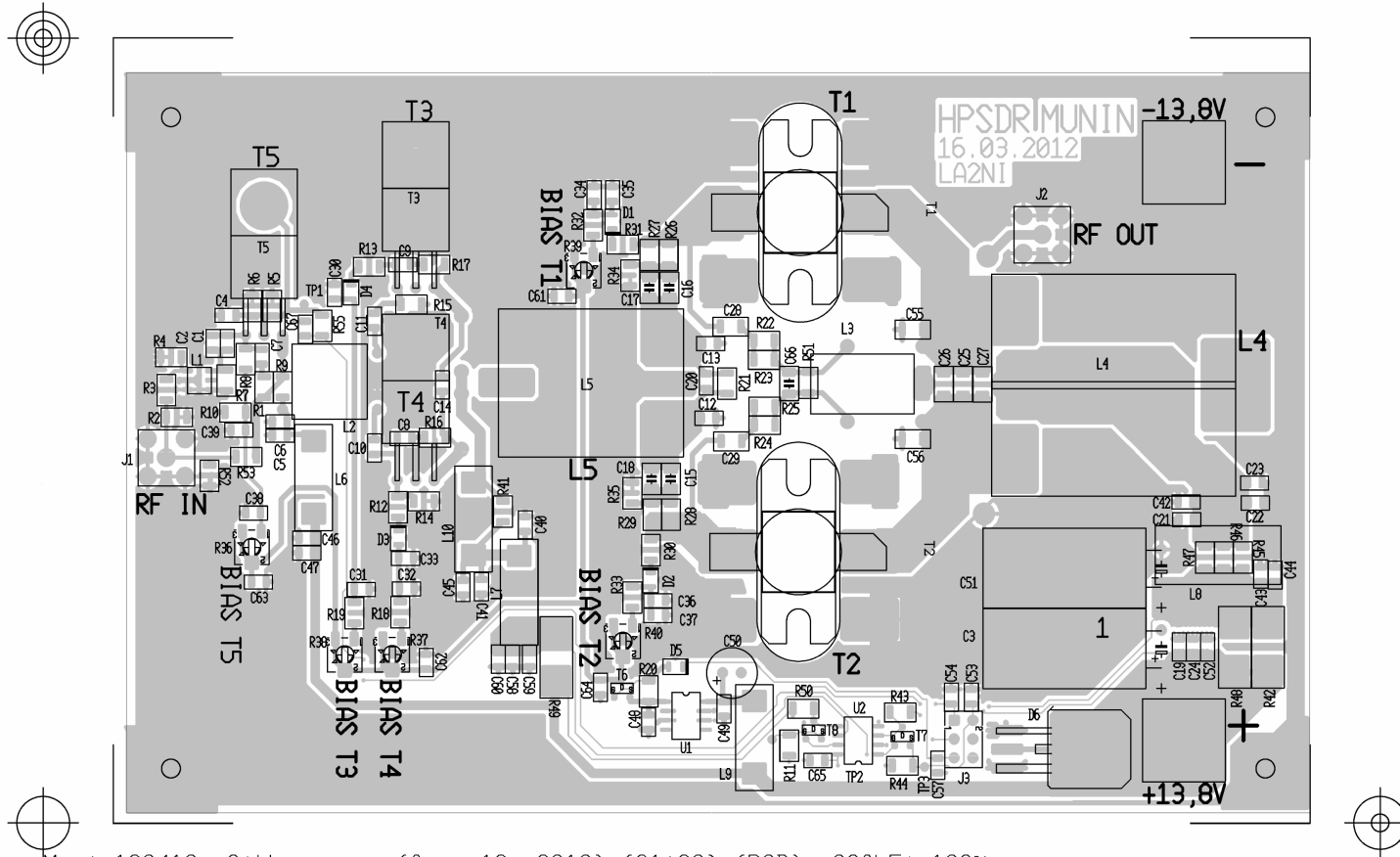


# Component Reference Drawings

## INDEX

Silk Screen and top copper	pg 2
DNI Do not insert components	pg 3
0.01 uF 50V 5% X7R	pg 4
0.1uF 50volts X7R +/-10%	pg 5
1uF 50volts X7R +/-10%	pg 6
Miscellaneous Caps	pg 7
Blank large Silkscreen	pg 8
Resistors	pg 9
Semiconductors & Beads	pg 10

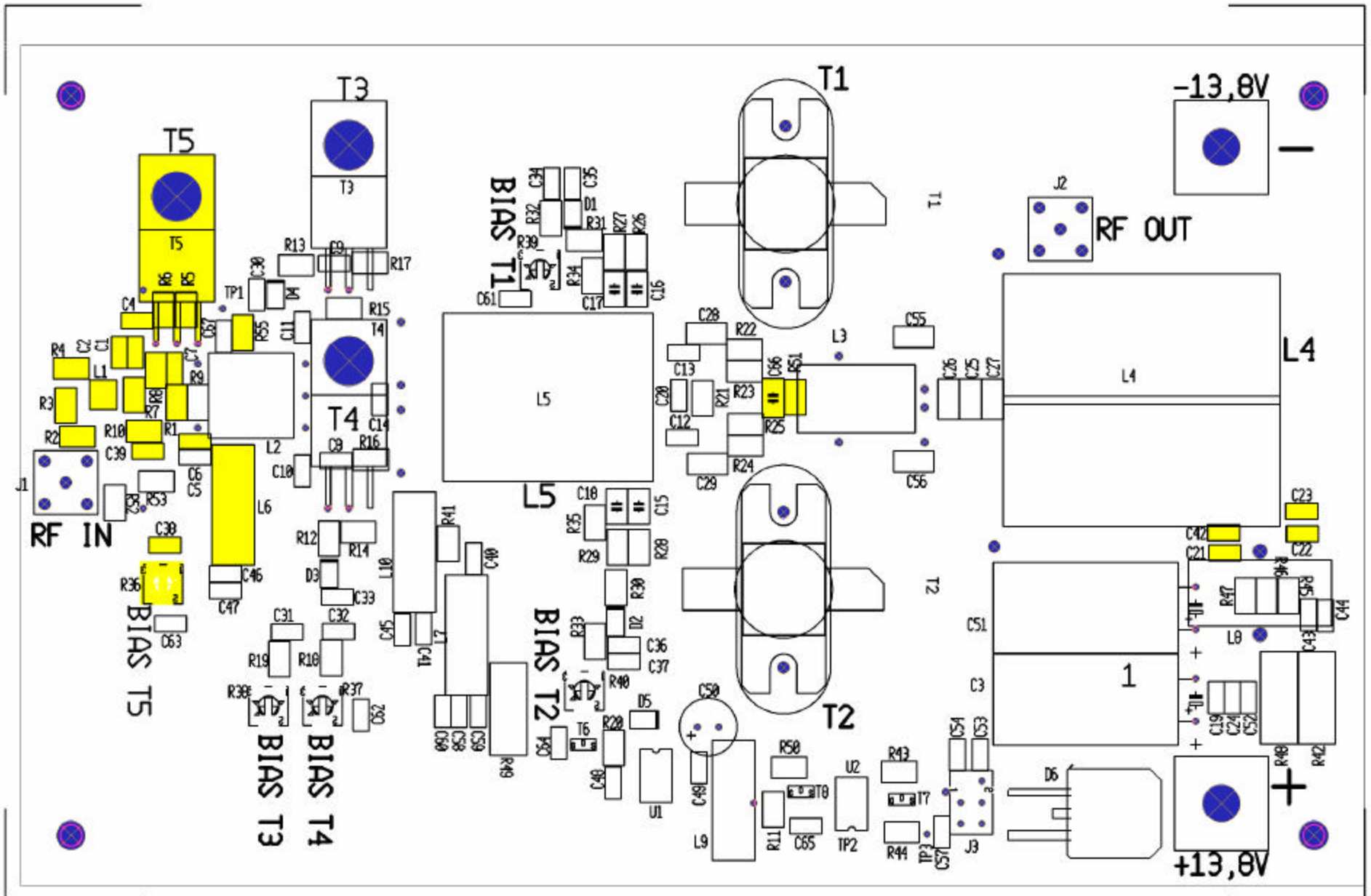
# Component Reference Drawings



Munin190412, Silkscreen (Apr. 19, 2012) (21:28) (PCB) SCALE: 100%

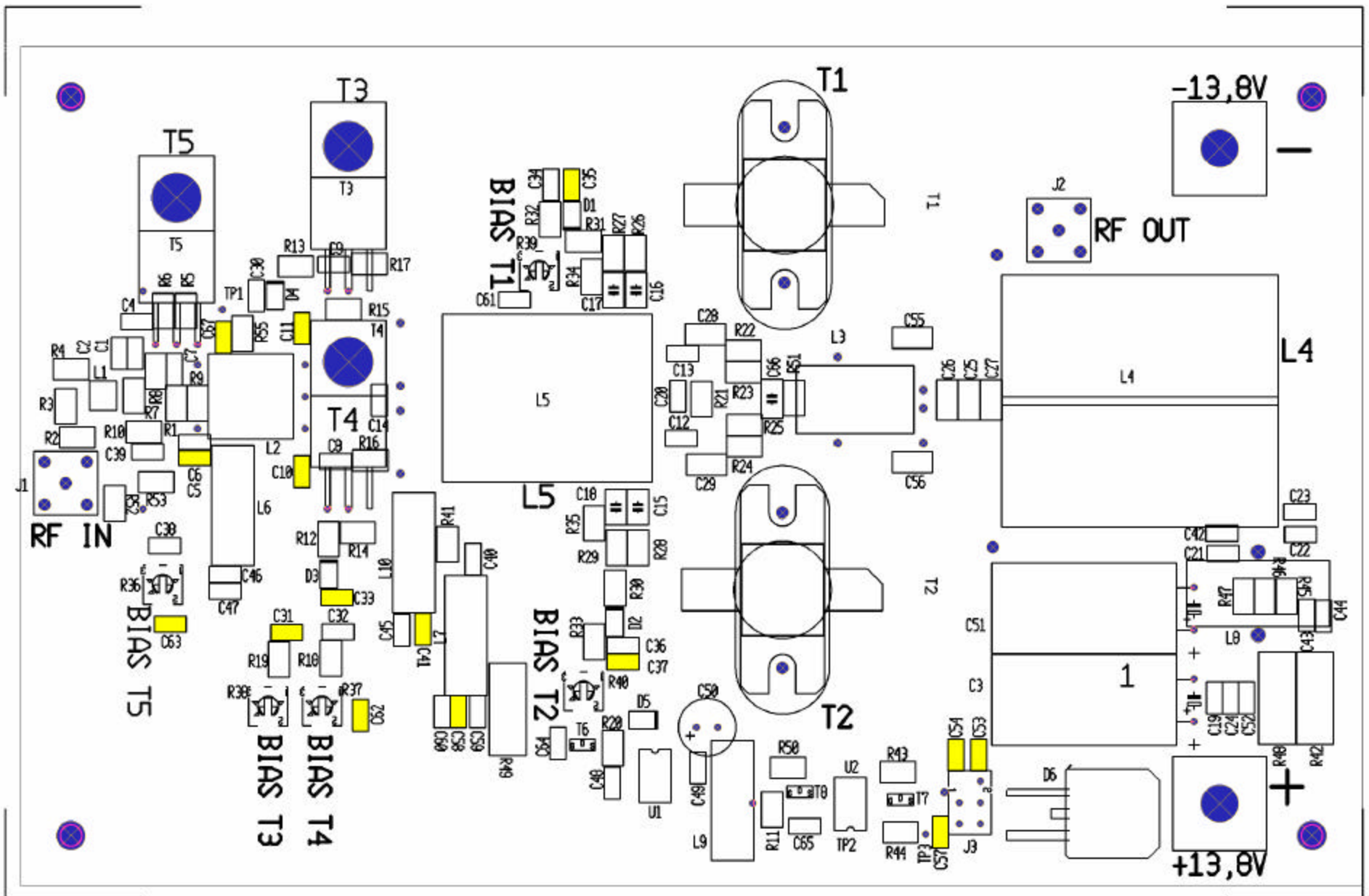
Silkscreen and top copper

Component Reference Drawings



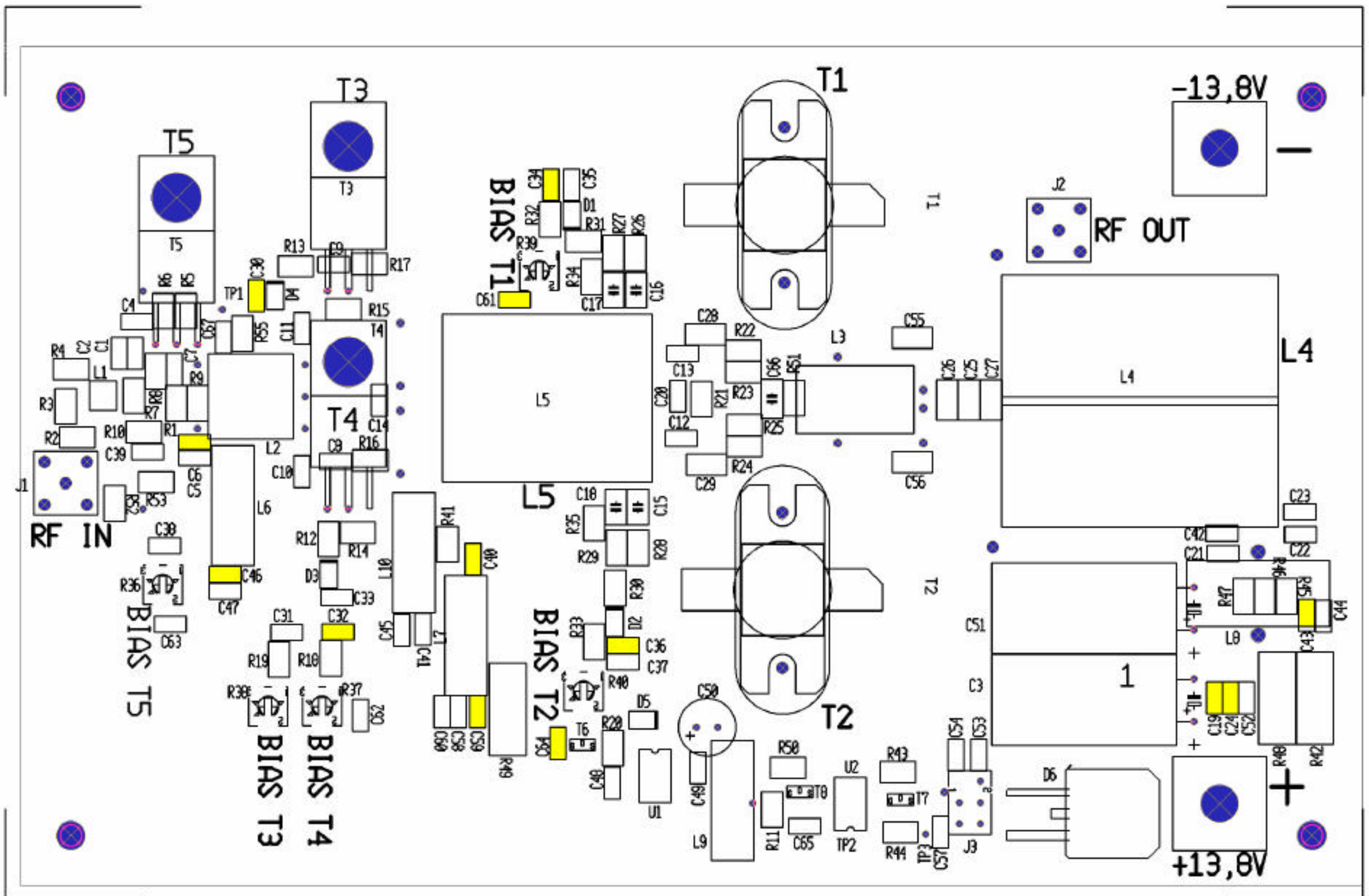
**DNI Parts - Do not Insert**

Component Reference Drawings



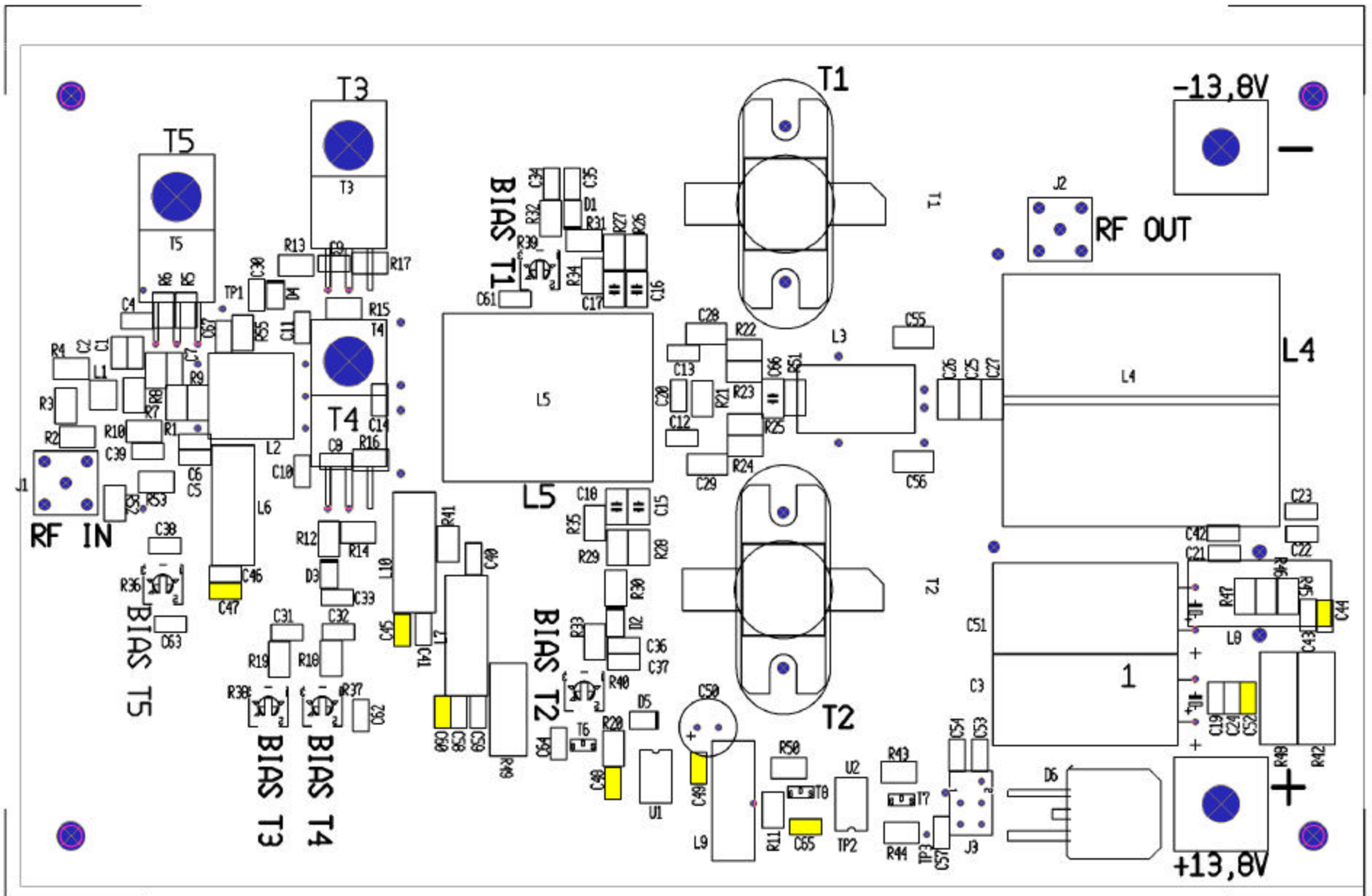
0.01 uF 50V 5% X7R Caps

Component Reference Drawings



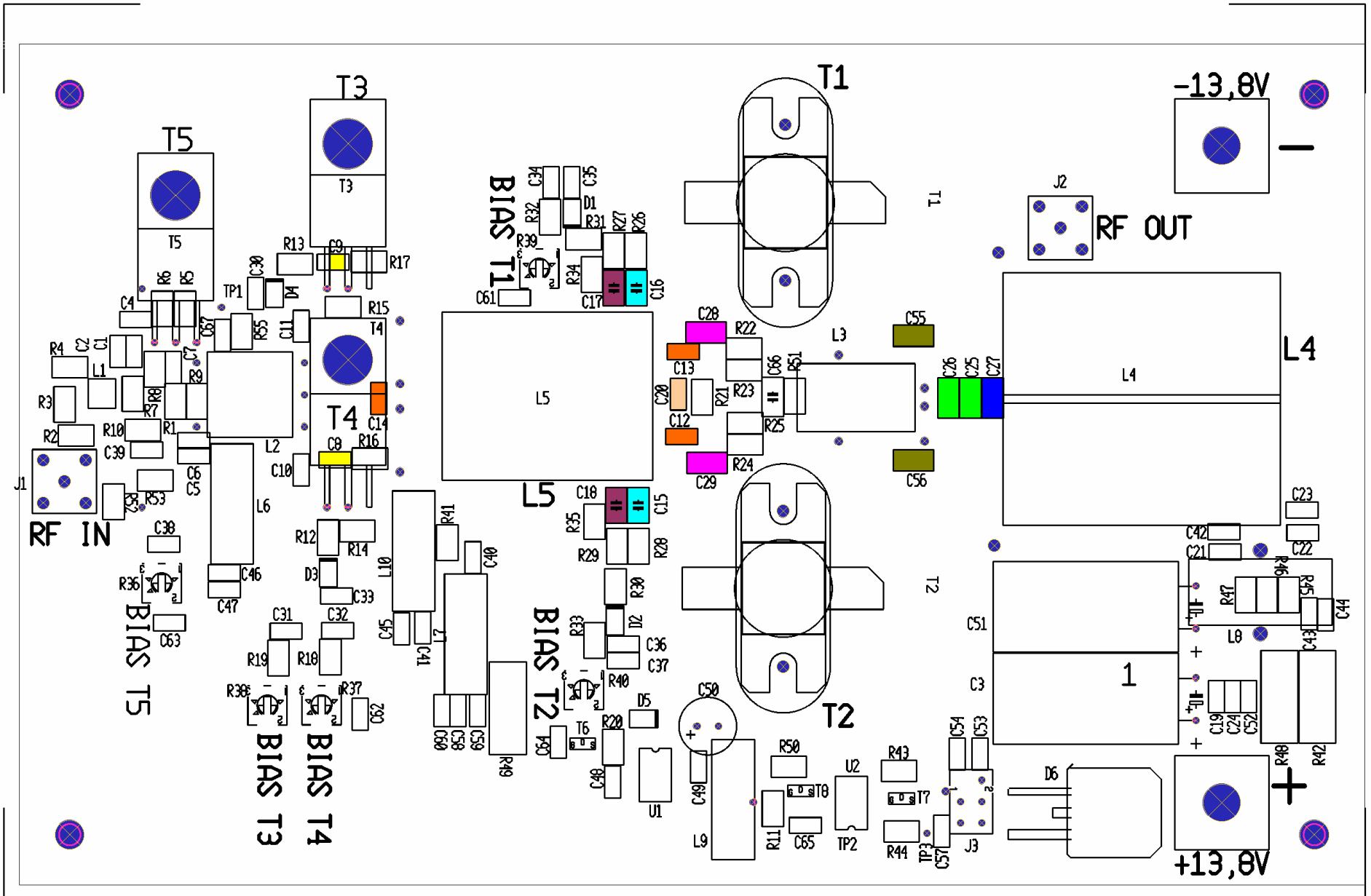
0.1uF 50volts X7R +/-10%

Component Reference Drawings

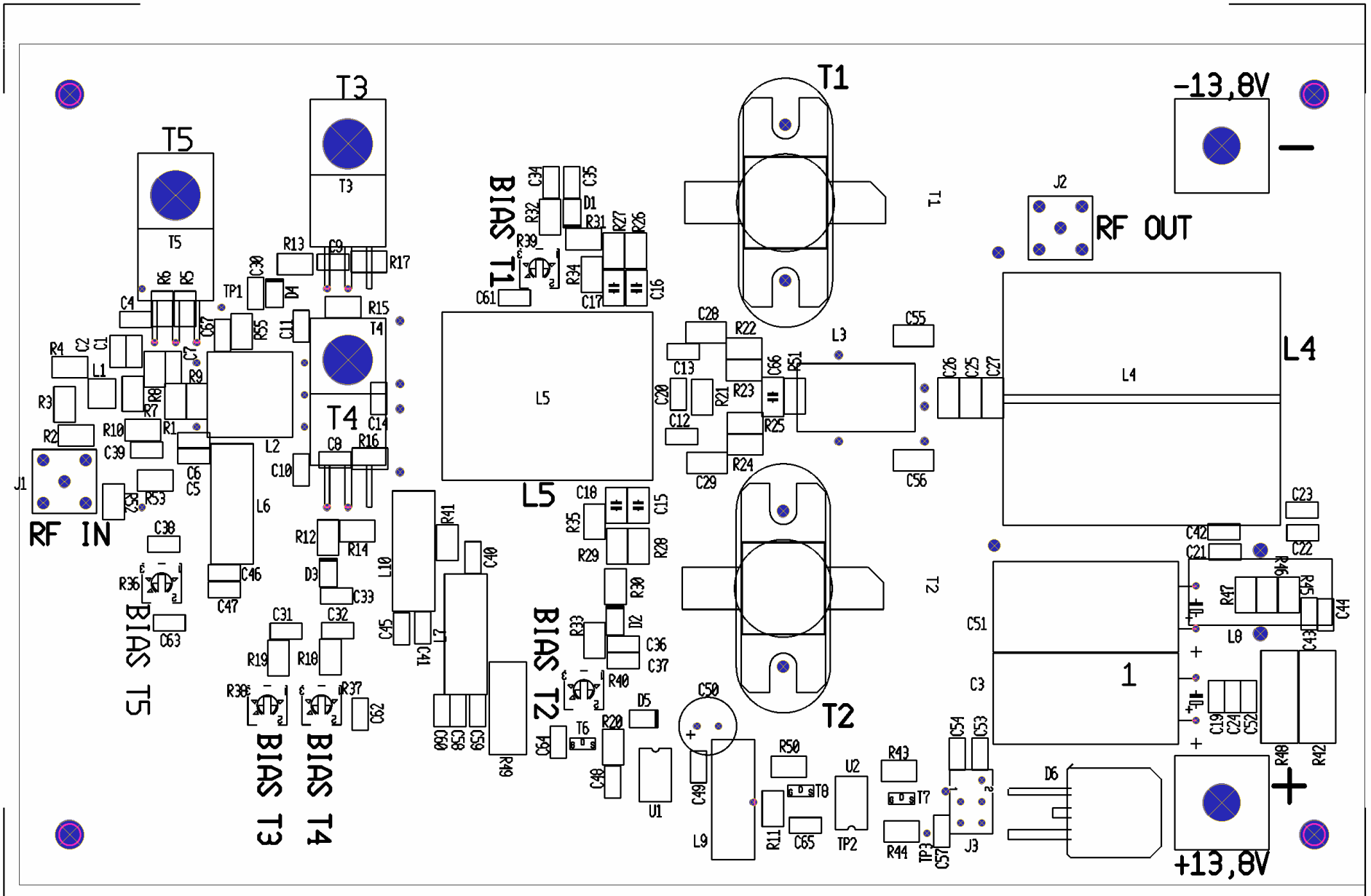


**1uF 50volts X7R +/-10%**

# Component Reference Drawings

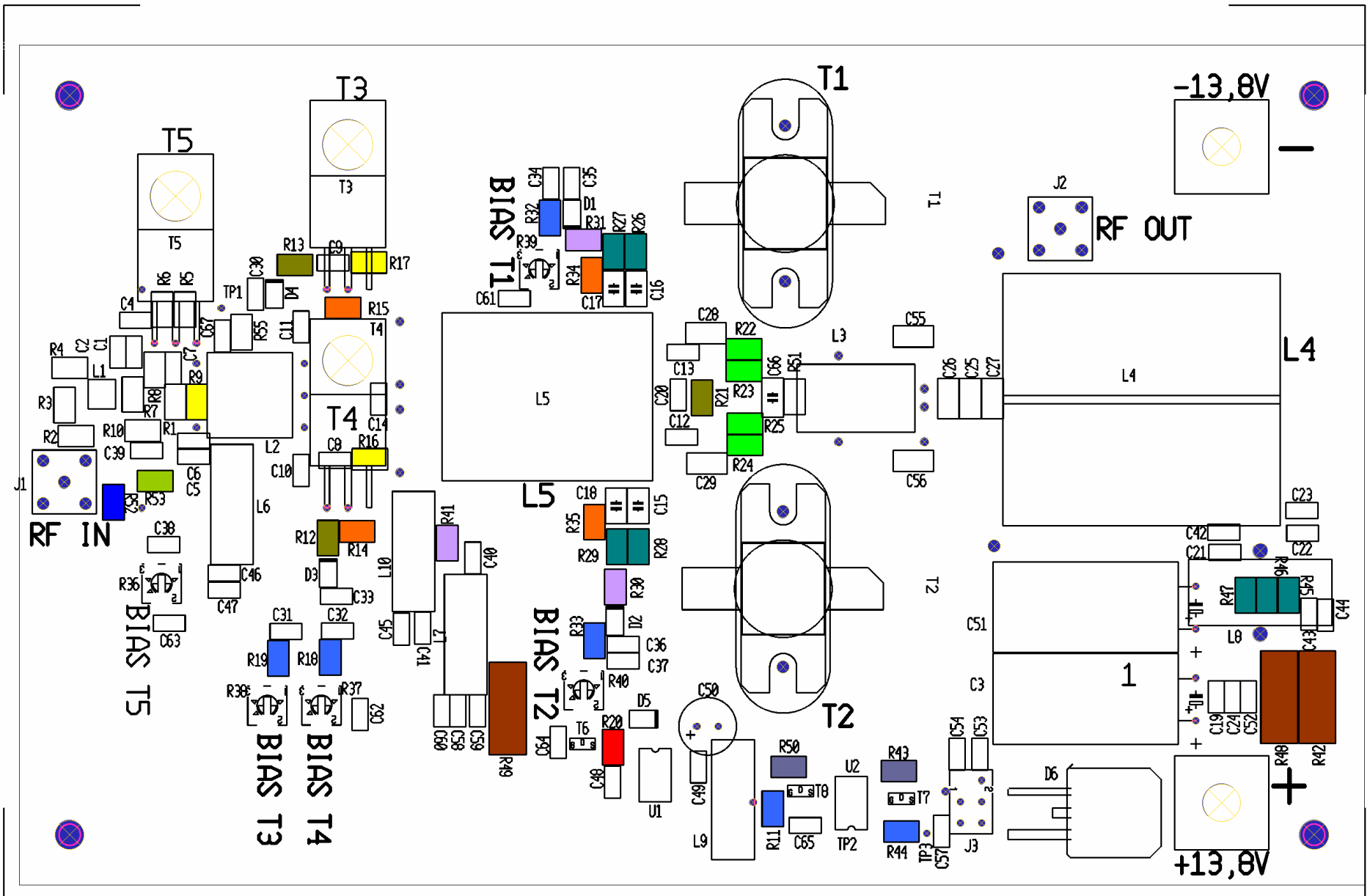


# Component Reference Drawings





# Component Reference Drawings



# Component Reference Drawings

